

# SPARROW CRANE HIRE LTD.

## Head Office

Ashmead Road, Keynsham, Bristol BS31 1SX

Telephone: +44 (0) 117 937 6690

Fax: +44 (0) 117 937 6699

email [info@sparrowcrane.co.uk](mailto:info@sparrowcrane.co.uk)

web [www.sparrowcrane.co.uk](http://www.sparrowcrane.co.uk)

Bridgwater 01278 489148

Oxford 01865 389148

Cardiff 029 20 501148

Swindon 01793 469148

Frome 01373 813327

Taunton 01823 729148

Gloucester 01452 899148

Tewkesbury 01684 869148

Newport 01633 759148

Yeovil 01935 609148

## Komatsu 605-2



# OVERALL RATED LOAD TABLE

For 4-rope hook

(All directions)

Working radius (m)	Overall rated load (kg)					
	Jib length: 3.74 to 6.14m		Jib length: Over 6.14 to 8.53m		Jib length: Over 8.53 to 10.92m	
	Static lift	Traveling lift	Static lift	Traveling lift	Static lift	Traveling lift
2.0	4900	2000				
2.1	4500	2000				
2.25	4000	2000				
2.45	3500	1750	3000	1500		
2.7	3000	1500	3000	1500		
3.0	2560	1280	2560	1280	2000	1000
3.5	2040	1020	2040	1020	2000	1000
4.0	1690	845	1690	845	1690	845
4.5	1430	715	1430	715	1430	715
5.0	1230	615	1230	615	1230	615
5.5	1070	535	1070	535	1070	535
5.94	970	485	970	485	970	485
6.0			960	480	960	480
6.5			800	400	800	400
7.0			690	345	690	345
7.5			580	290	580	290
8.0			520	260	520	260
8.33			490	245	490	245
9.0					420	210
10.0					330	165
10.72					280	140

Note 1: Overall rated loads are less than 78% of tipping loads when the machine is installed on flat compacted earth, and front stability is more than 1.15.

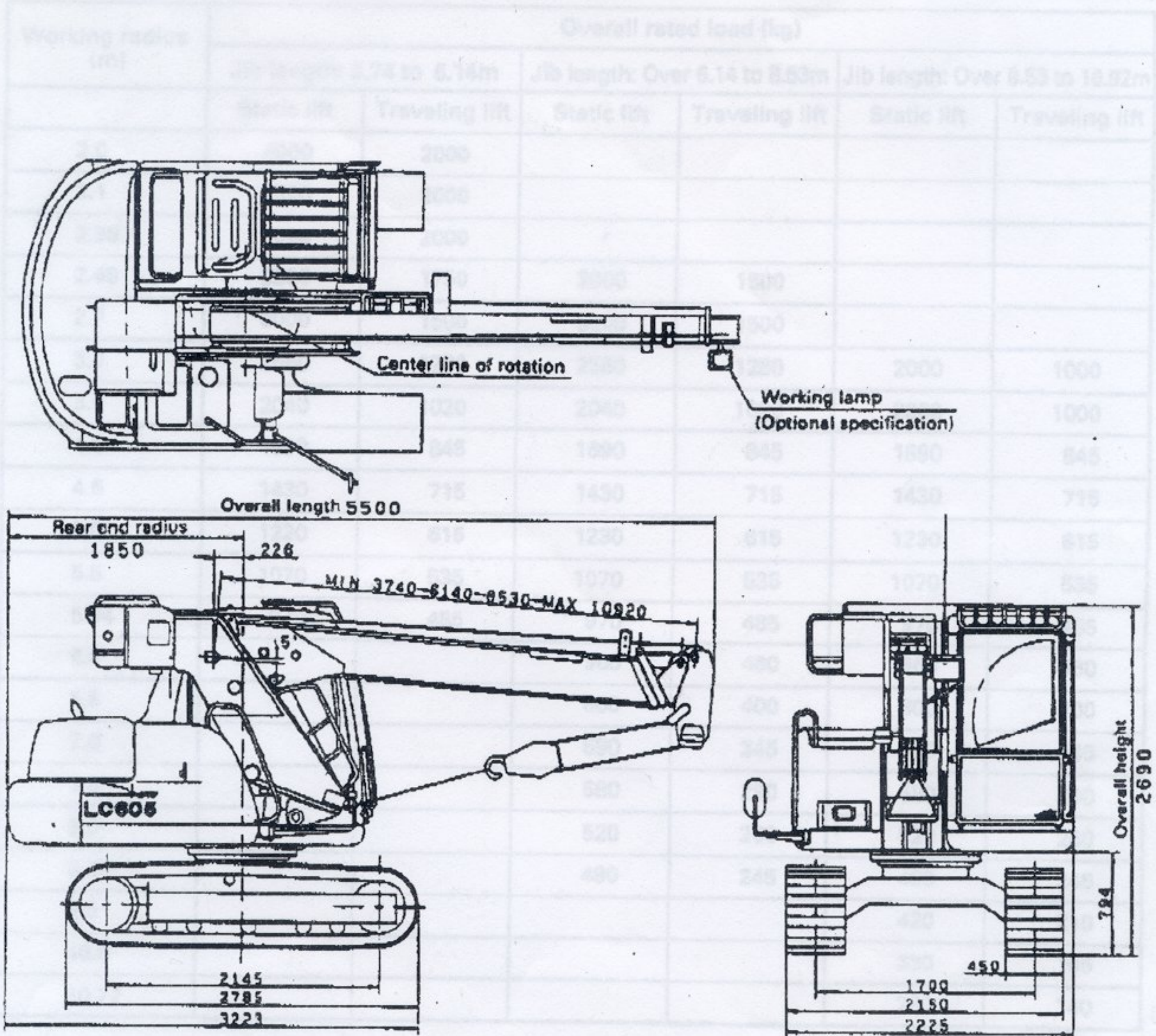
Note 2: Practically liftable loads (rated loads) are values obtained by reducing weight of hook or other slings (80kg for 4.9-ton hook) from values listed above.

201702

# GENERAL ASSEMBLY DRAWING

Komatsu ST

(All directions)



201Z02

Note 1: Overall rated loads are less than 70% of tipping loads when the machine is installed on flat compact earth, and front stability is more than 1.15.

Note 2: Practically these loads (rated loads) are values obtained by including a safety factor as set.